

RTQ6-XXX

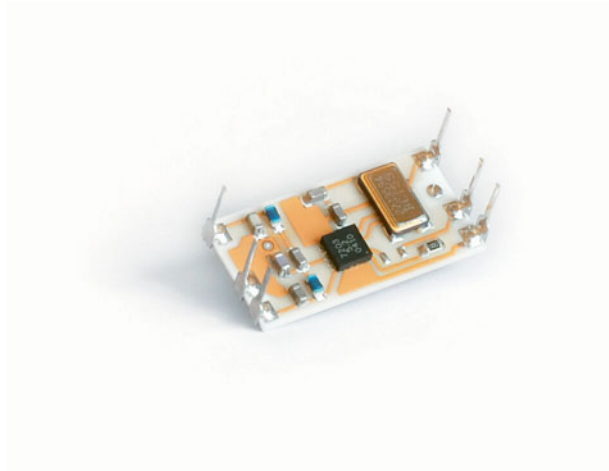
ASK Radio Transmitter with Crystal Oscillator and External Antenna

General description

The RTQ6-XXX is a hybrid circuit that allows to realize a complete radio transmitter adding a coding circuit.

It shows stable electric characteristics thanks to the "Thick film hybrid" technology.

XXX : working frequency (868.35 MHz)



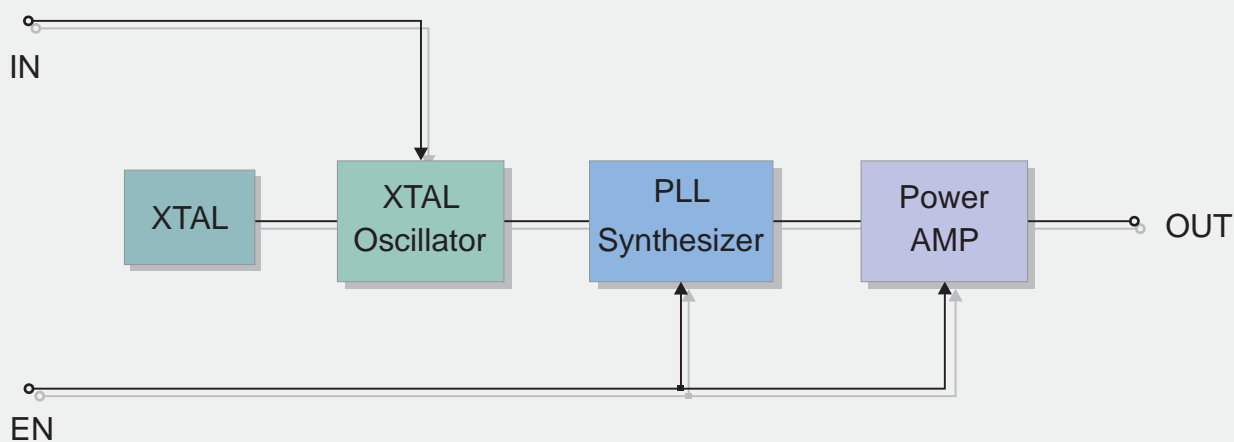
Features

- High Reliability
- DIL Package

Applications

- Wireless security systems
- Car Alarm systems
- Remote gate controls
- Sensor reporting

BLOCK DIAGRAM



Electrical Characteristics

Ta = 25°C unless otherwise specified

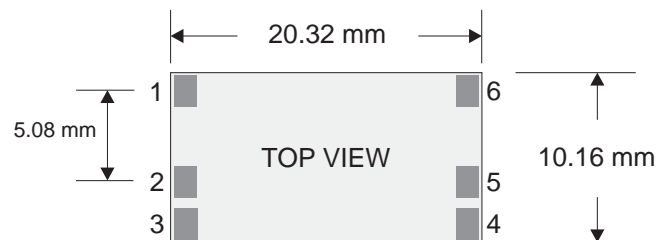
CHARACTERISTICS		MIN	TYP	MAX	UNIT
V _{CC}	Supply Voltage	1.9		5.5	VDC
I _S	Supply Current (V _{CC} =5V IN=1KHz Square Wave)		9		mA
I _{STANDBY}	Standby Supply Current (IN = EN = Low)		50	100	nA
F _W	Working Frequency		868.35		MHz
	Frequency Accuracy		+/- 35		KHz
P _O	RF Output Power into 50Ω (V _{CC} = 5V)	+4	+7		dBm
	Harmonic Spurious Emission		-50		dBc
V _{IL}	Input Low Voltage			0.3*V _{CC}	V
V _{IH}	Input High Voltage	0.7*V _{CC}			V
	Max Data Rate			9.6	Kbit/s
	Power-Up Time (EN → full RF)			1	msec
T _{OP}	Operating Temperature Range	-25		+80	°C

EN	IN	STATE
L	L	Power Down Mode
H	H / L	Transmit Mode

Pin Description

1	EN	Enable	4	V _{CC}	Supply Voltage
2	IN	Data In	5	GND	Ground
3	GND	Ground	6	EA	External Antenna

Mechanical Dimensions



TYPICAL APPLICATION

