

## RTFQ2-XXX / RTFQ2-XXX-R

FSK Radio Transmitter with Crystal Oscillator and External Antenna



### General description

The RTFQ2-XXX is an hybrid circuit that allows to realize a complete radio transmitter adding a coding circuit.

The RTFQ2-XXX-R model is equipped with an on board voltage regulator to extend the supply voltage range up to 12V.

It shows stable electric characteristics thanks to the "Thick film hybrid" technology.

XXX : working frequency ( 315, 433.92, 868.35

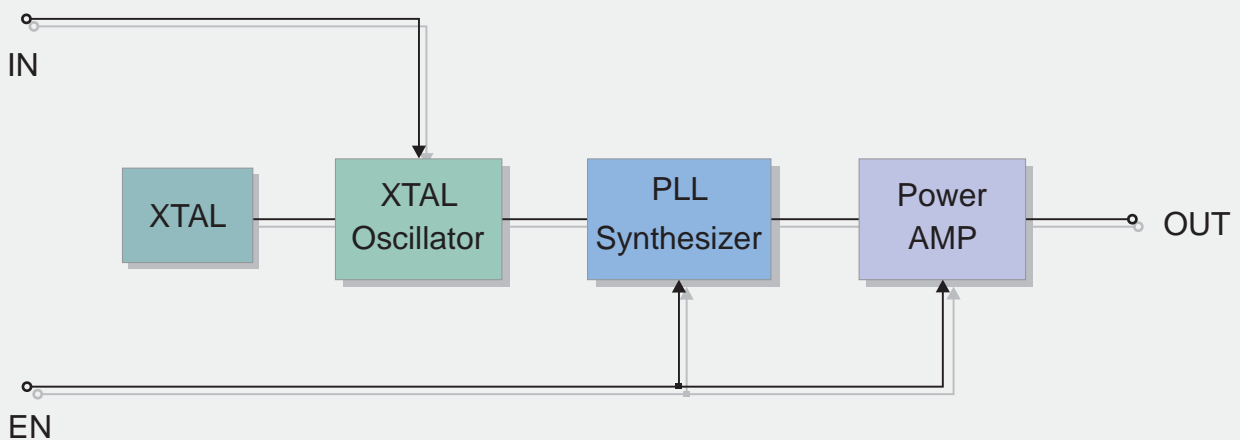
### Features

- High Reliability
- DIL Package

### Applications

- Wireless security systems
- Car Alarm systems
- Remote gate controls
- Sensor reporting

### BLOCK DIAGRAM



## Electrical Characteristics

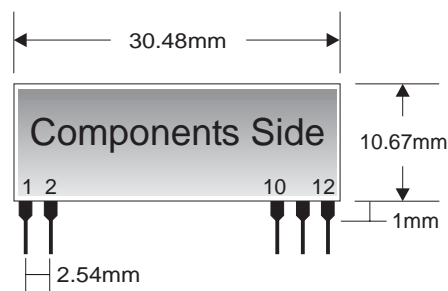
Ta = 25°C unless otherwise specified

CHARACTERISTICS		MIN	TYP	MAX	UNIT
V <sub>CC</sub>	Supply Voltage (RTFQ2-XXX model)	2.2	3.3	4	VDC
	Supply Voltage (RTFQ2-XXX-R model)	2.5	5	12	VDC
I <sub>s</sub>	Operating Supply Current		7	8	mA
F <sub>w</sub>	Working Frequency		315/433.9/868.35		MHz
P <sub>o</sub>	RF Output Power into 50Ω (V <sub>CC</sub> = 3.3V)		+5 / +5 / +1		dBm
	Initial Frequency Accuracy	-50	0	+50	KHz
	FM Deviation		+/-30		KHz
	Harmonic Spurious Emission		-50		dBc
	Max Data Rate			9.6	Kbit/s
V <sub>IH</sub>	Input High Voltage	1.5		5.5	V
	Power-Up Time to full RF			5	msec
T <sub>OP</sub>	Operating Temperature Range	-25		+80	°C

## Pin Description

1	GND	Ground
2	EA	External Antenna
10	Vcc	Supply Voltage
11	GND	Ground
12	IN	Modulation Input

## Mechanical Dimensions



## TYPICAL APPLICATION

