

RTFQ1-XXX

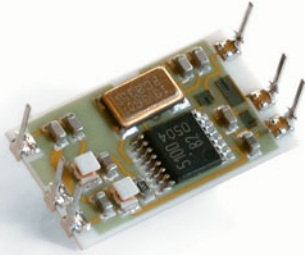
FSK Radio Transmitter with Crystal Oscillator and External Antenna

General description

The RTFQ1-XXX is an hybrid circuit that allows to realize a complete radio transmitter adding a coding circuit.

It shows stable electric characteristics thanks to the "Thick film hybrid" technology.

XXX : working frequency (315, 433.92, 868.35 MHz)



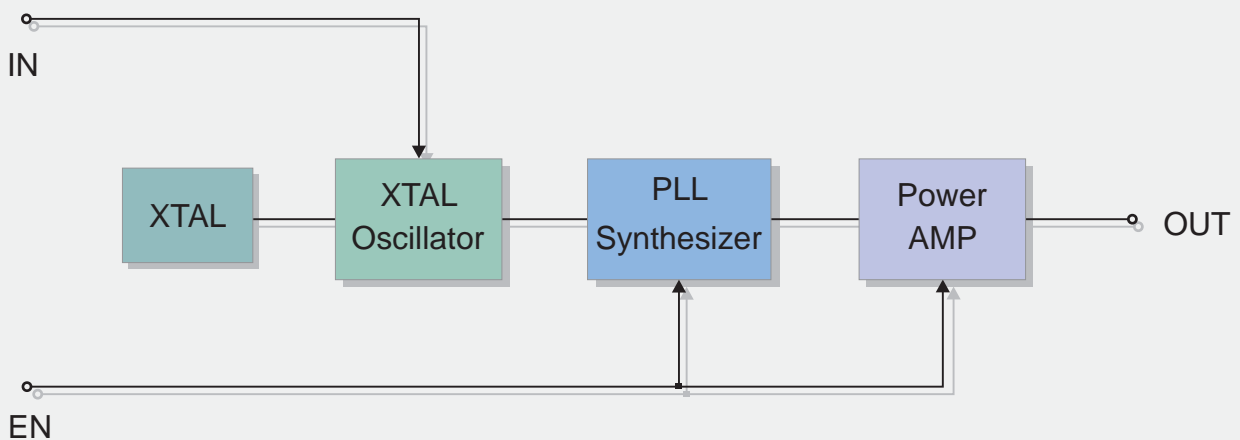
Features

- High Reliability
- DIL Package

Applications

- Wireless security systems
- Car Alarm systems
- Remote gate controls
- Sensor reporting

BLOCK DIAGRAM



Electrical Characteristics

Ta = 25°C unless otherwise specified

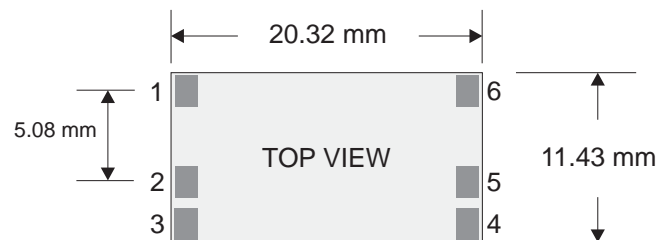
CHARACTERISTICS		MIN	TYP	MAX	UNIT
V _{CC}	Supply Voltage	2.2	3.3	4	VDC
I _S	Operating Supply Current		7	8	mA
I _{STANDBY}	Standby Supply Current (IN = EN = Low)			100	nA
F _W	Working Frequency		315/433.9/868.35		MHz
P _O	RF Output Power into 50Ω (V _{CC} = 3.3V)		+5 / +5 / +1		dBm
	Initial Frequency Accuracy		+/- 35		KHz
	FM Deviation		+/-30		KHz
	Harmonic Spurious Emission		-50		dBc
V _{IH}	Input High Voltage	1.5		V _{CC}	V
	Max Data Rate			9.6	Kbit/s
	Power-Up Time (EN → full RF)			1	msec
T _{OP}	Operating Temperature Range	-25		+80	°C

EN	IN	STATE
L	L	Power Down Mode
H	H / L	Transmit Mode

Pin Description

1	EN	Enable	4	V _{CC}	Supply Voltage
2	IN	Data In	5	GND	Ground
3	GND	Ground	6	EA	External Antenna

Mechanical Dimensions



TYPICAL APPLICATION

