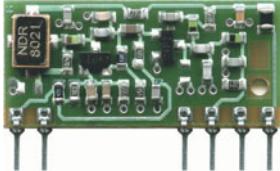


RT13-868.35

868.350 MHz Radio Transmitter Module with SAW Resonator and External Antenna



General description

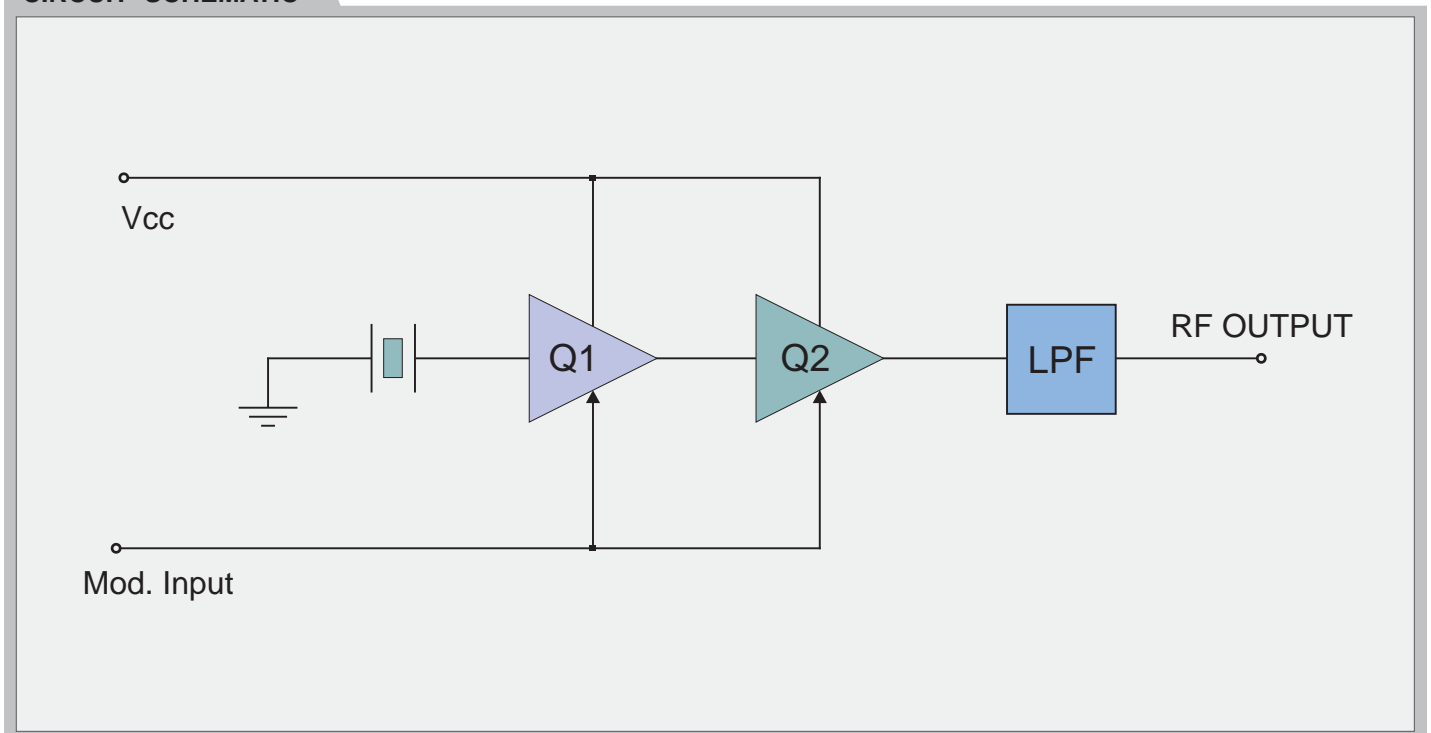
The RT13 is a SAW stabilized ASK (OOK) transmitter. For a better stability and modulation it employs a two transistor design: an oscillator and a separate power amplifier.

The RT13 is provided by a low-pass filter to attenuate the harmonic emissions.

Applications

- Wireless security systems
- Car Alarm systems
- Remote gate controls
- Sensor reporting

CIRCUIT SCHEMATIC



Electrical Characteristics

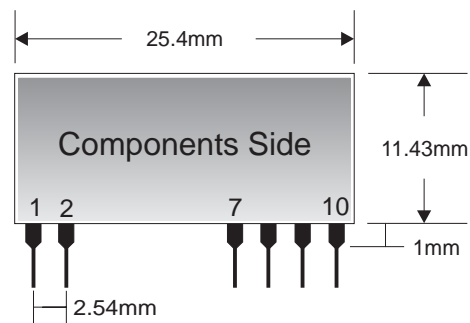
Ta = 25°C unless otherwise specified

CHARACTERISTICS		MIN	TYP	MAX	UNIT
V _{CC}	Supply Voltage	2.5		9.0	VDC
I _{CC}	Supply Current (V _{CC} =5V IN=1KHz Square Wave)		18		mA
F _W	Working Frequency		868.350		MHz
	Frequency Accuracy		+/- 100	+/- 150	KHz
P _O	RF Output Power into 50Ω (V _{CC} =V _{IN} =5V)	7	9		dBm
	Harmonic Spurious Emission		-45		dBc
	Max Data Rate			9.6	Kbit/s
T _{OP}	Operating Temperature Range	-25		+80	°C

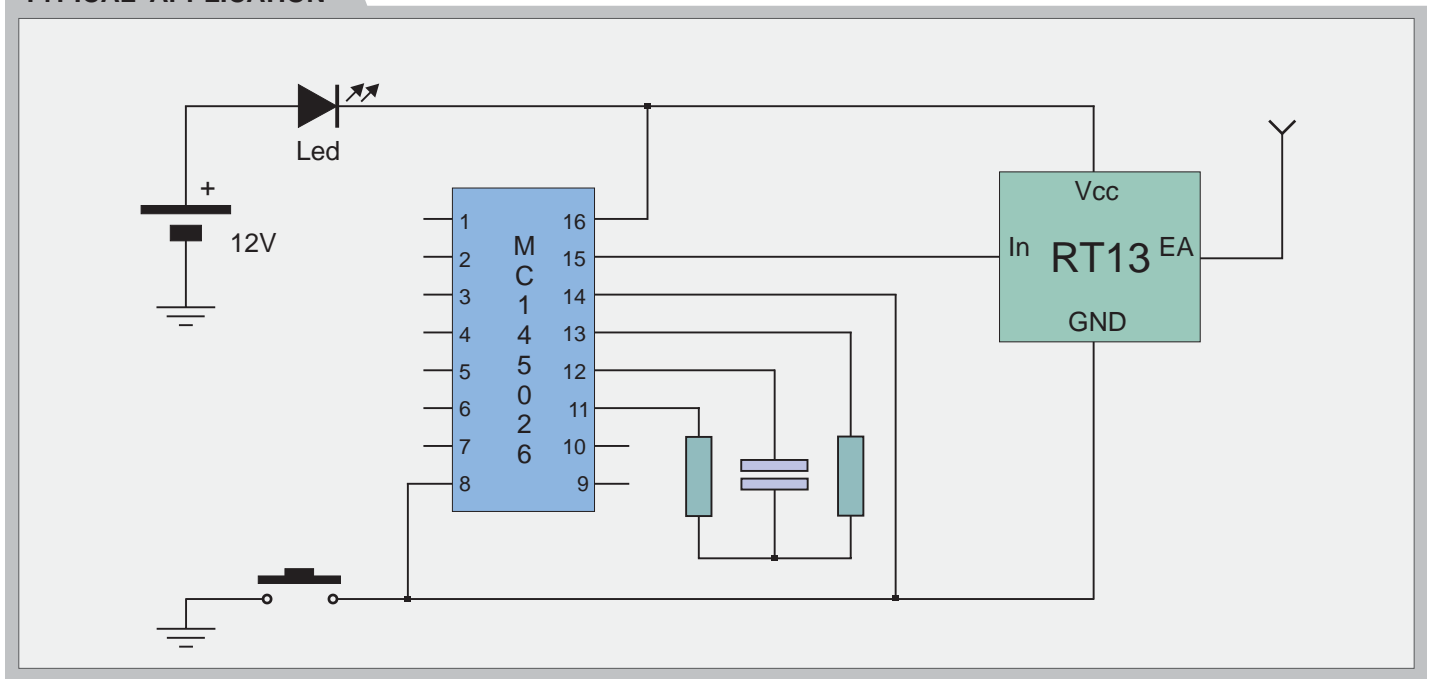
Pin Description

1	IN	Modulation Input
2	GND	Ground
7	GND	Ground
8	EA	External Antenna
9	GND	Ground
10	V _{CC}	Supply Voltage

Mechanical Dimensions



TYPICAL APPLICATION



Telecontrolli Srl has an on going policy to improve the performance and reliability of their products; we therefore reserve the right to make changes without notice.

The information contained in our data sheets is believed to be accurate, however we do not assume any liability arising from the application or use of any product or circuit.