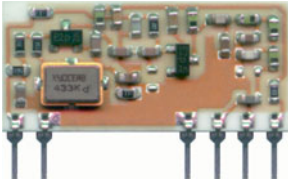


RT11-XXX

Radio Transmitter Module with SAW Resonator and External Antenna



General description

The RT11-XXX is a two-stages radio transmitter (SAW oscillator + power amplifier).

It shows stable electric characteristics thanks to the "Thick film hybrid" technology.

XXX : working frequency (315, 418, 433.92 MHz)

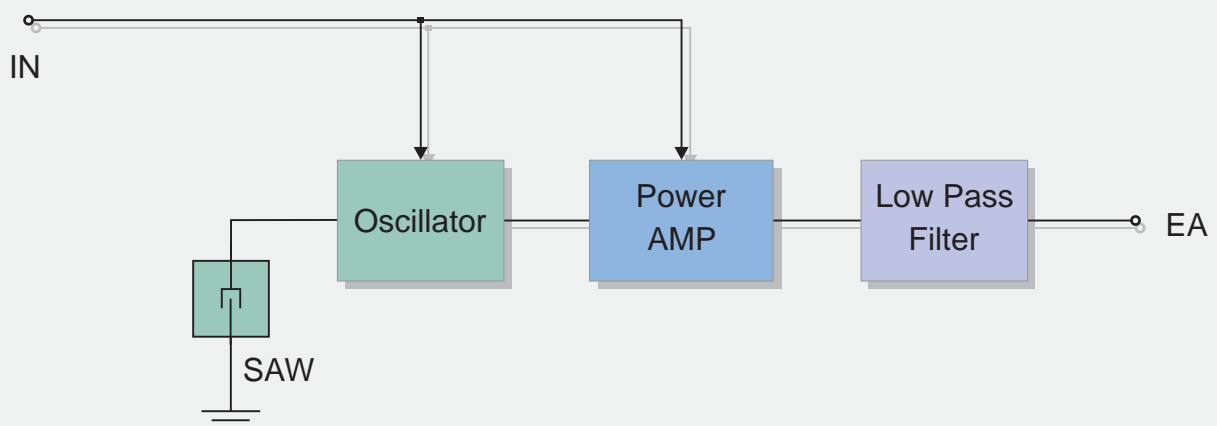
Features

- High Reliability
- SIL Package

Applications

- Wireless security systems
- Car Alarm systems
- Remote gate controls
- Sensor reporting

CIRCUIT SCHEMATIC



Electrical Characteristics

Ta = 25°C unless otherwise specified

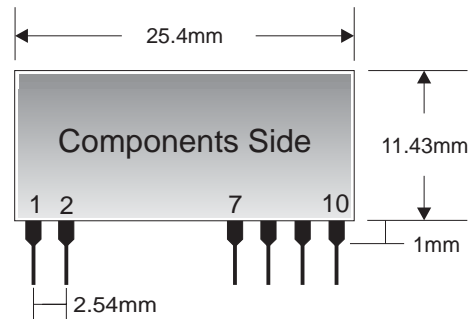
CHARACTERISTICS		MIN	TYP	MAX	UNIT
V _{CC}	Supply Voltage	2		6	VDC
I _S	Supply Current (V _{CC} =5V IN=1KHz Square Wave)		8		mA
F _W	Working Frequency		433.92		MHz
P _O	RF Output Power into 50Ω (V _i = V _{CC} =3.3V)	10	12		dBm
	Harmonic Spurious Emission		-55		dBc
V _{IH}	Input High Voltage	2		V _{CC}	V
	Max Data Rate			9.6	Kbit/s
T _{OP}	Operating Temperature Range	-25		+80	°C

Typically, equipment utilizing this device requires emissions testing and government approval, which is the responsibility of the equipment manufacturer.

Pin Description

1	IN	Modulation Input
2	GND	Ground
7	GND	Ground
8	EA	External Antenna
9	GND	Ground
10	Vcc	Supply Voltage

Mechanical Dimensions



TYPICAL APPLICATION

