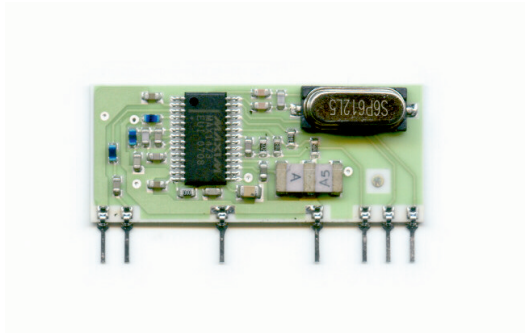


RRQ4-XXX- V

AM Superhet Receiver with Crystal Oscillator
50 dB RF Image Rejection



General description

The RRQ4-XXX is an AM superhet data receiver with PLL synthesizer and crystal oscillator.

A squelch function is implemented to reduce output "noise" when no transmitter is active.

Receiver Frequency: 315 / 433.92 MHz

IF Frequency: 10.7MHz

Typical sensitivity: -107 dBm

RF Image Rejection: 50 dB

Supply current: 6 mA (typ)

Applications

Wireless security systems

Car Alarm systems

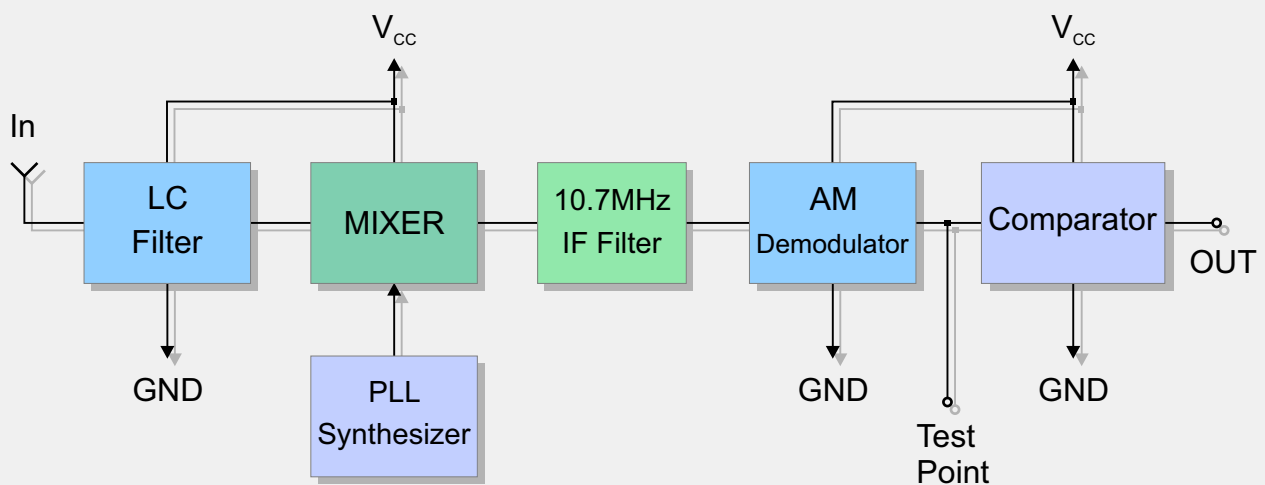
Remote gate controls

Sensor reporting

XXX: custom-specified working frequency
(315, 433.92 MHz)

V: available supply voltage 3.3V or 5V

BLOCK DIAGRAM



Electrical Characteristics

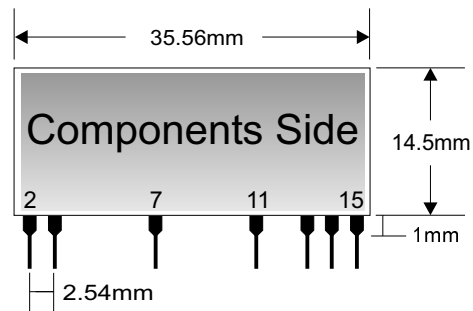
Ta = 25°C unless otherwise specified

CHARACTERISTICS		MIN	TYP	MAX	UNIT
V _{CC}	Supply Voltage (5V model)	4.5	5	5.5	VDC
	Supply Voltage (3.3V model)	3.0	3.3	3.6	VDC
I _S	Supply Current		6	7	mA
F _R	Receiver Frequency		315/433.9		MHz
	RF Sensitivity (100% AM)		-107		dBm
B _w	-3dB Bandwidth		±150		KHz
	Max Data Rate			4.8	Kbit/s
	Level of Emitted Spectrum			-70	dBm
V _{ol}	Low-Level Output Voltage (RL = 5K)			0.4	V
V _{oh}	High-Level Output Voltage (RL = 5K)	V _{CC} - 0.4			V
T _{OP}	Operating Temperature Range	-25		+80	°C

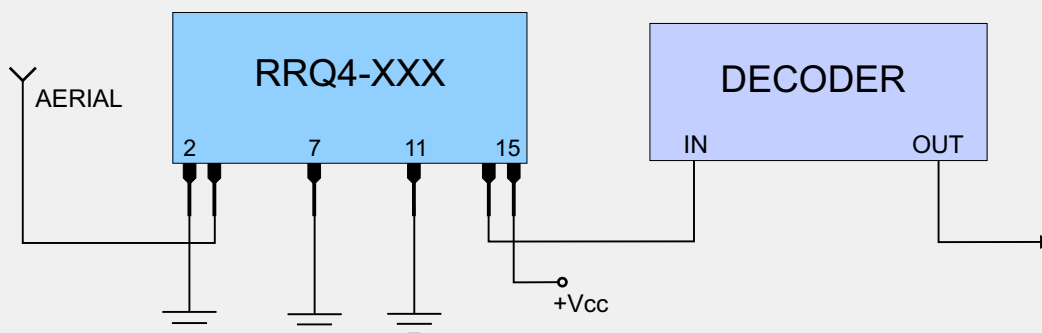
Pin Description

2	GND
3	IN
7	GND
11	GND
13	Test Point
14	OUT
15	V _{CC}

Mechanical Dimensions



TYPICAL APPLICATION



Telecontrolli Srl has an on going policy to improve the performance and reliability of their products; we therefore reserve the right to make changes without notice. The information contained in our data sheets is believed to be accurate, however we do not assume any liability arising from the application or use of any product or circuit.