



RR19-XXX

Super Regenerative Radio Receiver with Front End SAW Filter

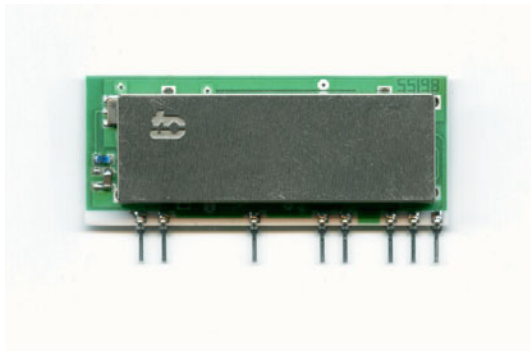
General description

The RR19-XXX is a super regenerative data receiver with a front end SAW filter to reduce RF Bandwidth.

EMI immunity improved by a metal shield

Sensitivity typically exceeds -103dBm when matched to $50\ \Omega$.

Narrow Bandwidth: $\pm 300\ \text{KHz}$

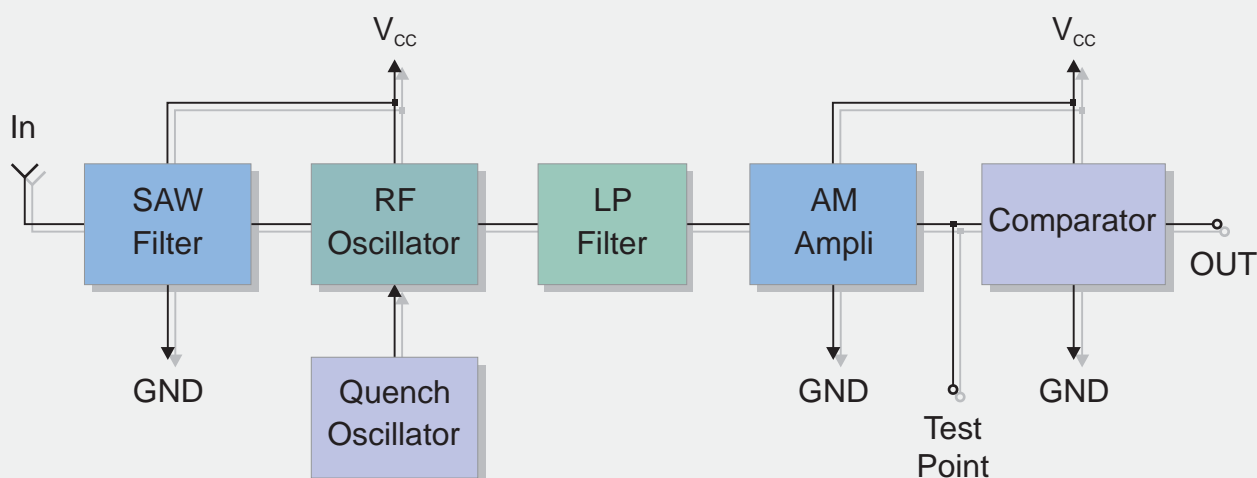


XXX: custom-specified working frequency

Applications

- Home security systems
- Car Alarm systems
- Remote gate controls
- Sensor reporting

BLOCK DIAGRAM



Electrical Characteristics

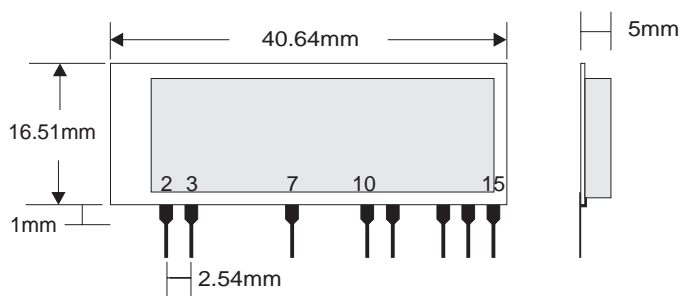
Ta = 25°C unless otherwise specified

CHARACTERISTICS		MIN	TYP	MAX	UNIT
V _{CC}	Supply Voltage	4.5	5	5.5	VDC
I _S	Supply Current		3.0		mA
F _W	Working Frequency		433.9		MHz
	RF Sensitivity (100% AM)	-98	-103		dBm
B _W	-3dB Bandwidth		+/-300		KHz
	Data Rate		4.8		Kbit/s
	Level of Emitted Spectrum		-75	-70	dBm
V _{ol}	Low-Level Output Voltage			0.6	V
V _{oh}	High-Level Output Voltage	3.6			V
T _{OP}	Operating Temperature Range	-25		+80	°C

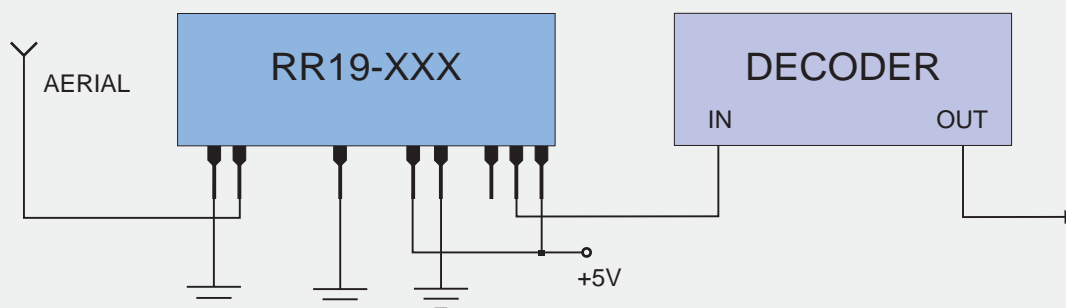
Pin Description

2	GND	11	GND
3	IN	13	Test Point
7	GND	14	OUT
10	+V _{CC}	15	+V _{CC}

Mechanical Dimensions



TYPICAL APPLICATION



Telecontrolli Srl has an on going policy to improve the performance and reliability of their products; we therefore reserve the right to make changes without notice.

The information contained in our data sheets is believed to be accurate, however we do not assume any liability arising from the application or use of any product or circuit.



HEAD OFFICE & PLANT

Via Naz. delle Puglie, 177
80026 CASORIA (NA), Italy
Tel: +39 081 759 90 33
Fax: +39 081 759 64 94

SALES OFFICE

sales @ telecontrolli.com

Web Site: www.telecontrolli.com