

RR18-XXX

Very Low Consumption Super Regenerative Receiver
with Front End SAW Filter - Optional Metal Shield

General description

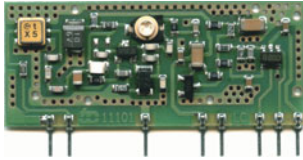
The RR18-XXX is a very low consumption super regenerative data receiver with front end SAW filter.

EMI immunity improved by a metal shield
(**RR18-XXX-S** model)

Typical current consumption: 70 μ A

Sensitivity typically exceeds -96dBm when matched to 50 ohm.

Narrow Bandwidth: +/- 300 KHz

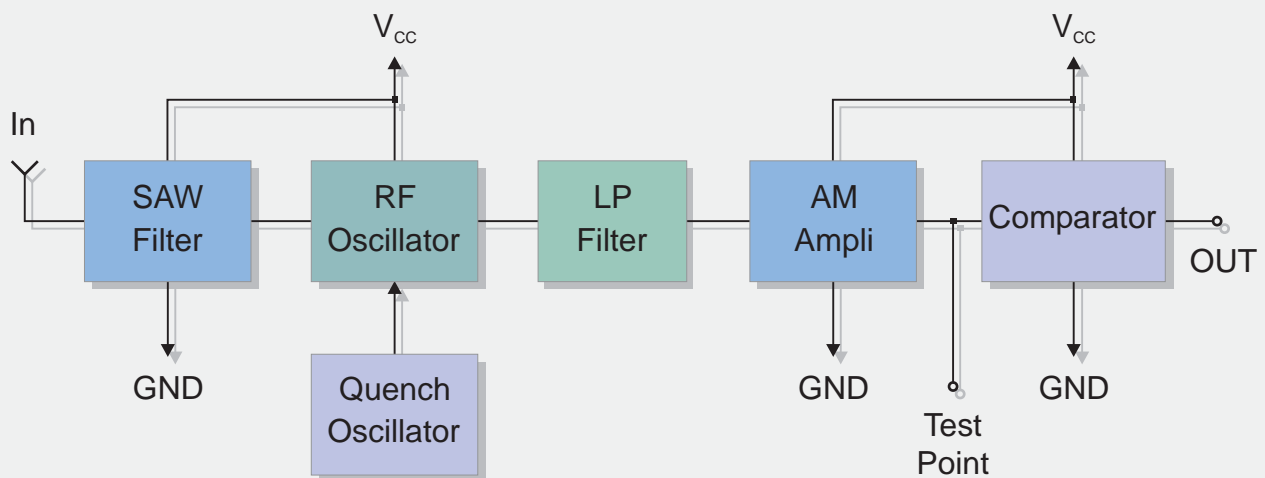


XXX: custom-specified working frequency

Applications

- Home security systems
- Car Alarm systems
- Remote gate controls
- Sensor reporting

BLOCK DIAGRAM



Electrical Characteristics

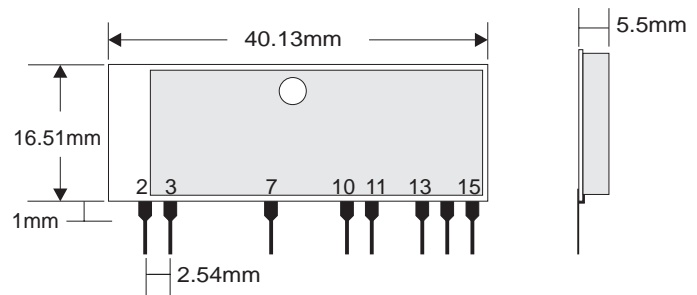
Ta = 25°C unless otherwise specified

CHARACTERISTICS		MIN	TYP	MAX	UNIT
V _{CC}	Supply Voltage	2.75	3	3.25	VDC
I _S	Supply Current		70		uA
F _W	Working Frequency		433.92		MHz
B _W	-3dB Bandwidth		+/-300		KHz
	RF Sensitivity (100% AM)	-90	-94		dBm
	Data Rate		4.8		Kbit/s
	Level of Emitted Spectrum		-65	-60	dBm
V _{ol}	Low-Level Output Voltage			0.4	V
V _{oh}	High-Level Output Voltage	V _{CC} - 0.4			V
T _{OP}	Operating Temperature Range	-20		+55	°C

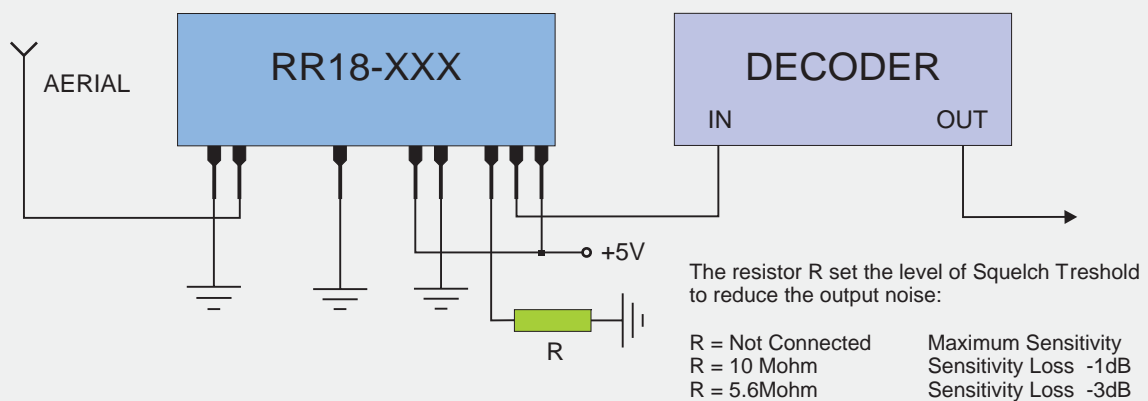
Pin Description

2	GND	11	GND
3	IN	13	Test Point
7	GND	14	OUT
10	+V _{CC}	15	+V _{CC}

Mechanical Dimensions



TYPICAL APPLICATION



Telecontrolli Srl has an on going policy to improve the performance and reliability of their products; we therefore reserve the right to make changes without notice.

The information contained in our data sheets is believed to be accurate, however we do not assume any liability arising from the application or use of any product or circuit.



Web Site: www.telecontrolli.com

HEAD OFFICE & PLANT

Via Naz. delle Puglie, 177
80026 CASORIA (NA), Italy
Tel: +39 081 759 90 33
Fax: +39 081 759 64 94

SALES OFFICE

sales @ telecontrolli.com